

- *Index*
- *Bridges & Posts*
- *Columns*
- *Column Corbel Shakers*
- *Grottos*
- *Pilaster Columns*
- *Pilasters*
- *Island Tables*

Modular Decorative Items

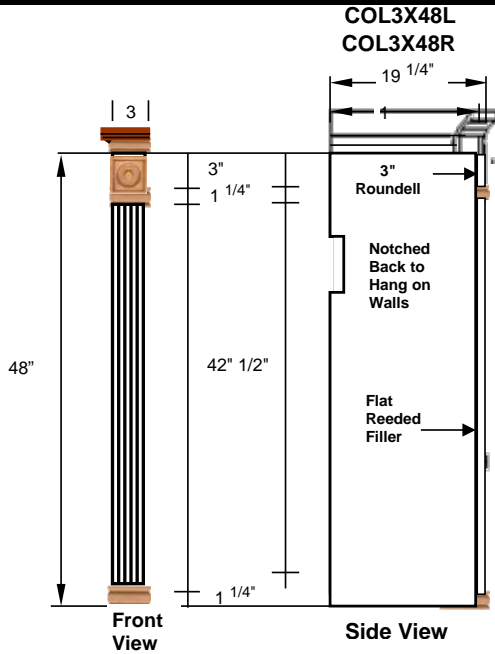
Items in this section are Not Available In Oak

Page Location	Item Type	Nomenclature
144	3" Column	COL
144	3" Column - 24" Deep	C03
144	6" Column	COL
144	6" Column - 24" Deep	C06
145	Column Corbel Grape - 24" Deep	CCG
145	Column with Grape Corbel	COL-COR
145	Column with Pullout	COL-PO
145	Column with Pullout - 24" Deep	CP
146	Column with Scroll Corbel	CCR
147-148	Column with Shaker Detail	PCCS
157-159	Island Tables	Custom
143	Panel 15x60 for POST6X60	PAN1560
154	Pilaster Column - Reeded Leg (Double Sided)	PIL
153	Pilaster Column - Reeded Leg (Single Sided)	PIL
143	Post for Peninsula	POST6x60
155	Shaker Pilasters	PS / PES
156	Transitional Pilasters	PT / PET
143	Unistrut for POST	UNISTRUT

Modular Decorative Items : Columns - 48" Height

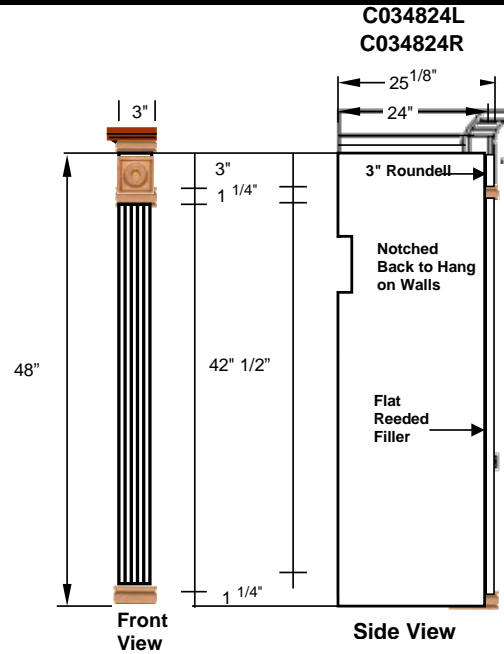
Not available in Oak

3" x 48 Column



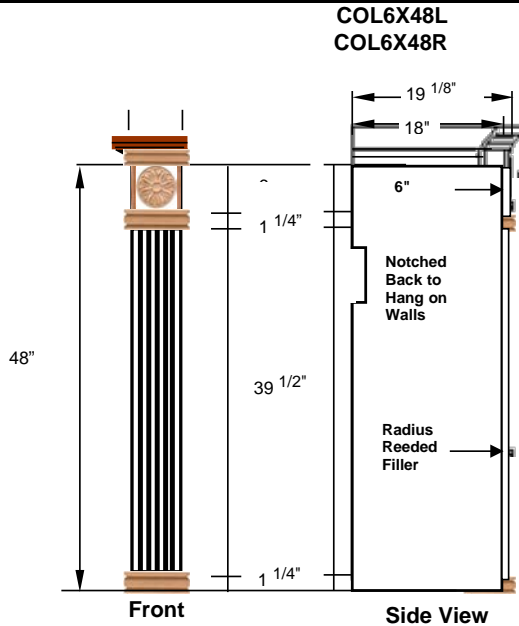
Not available in Oak

3" x 48 Column



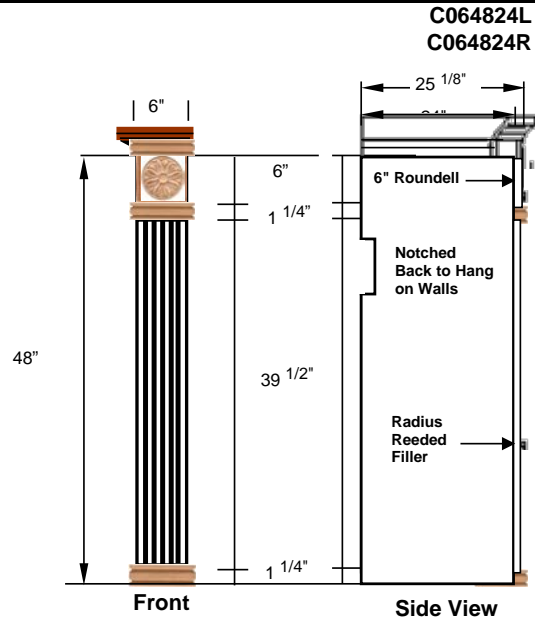
Not available in Oak

6" x 48 Column



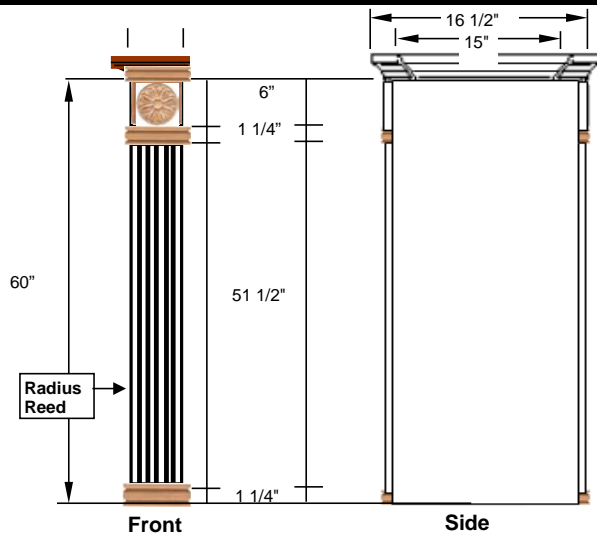
Not available in Oak

6" x 48 Column



Bridge

Post



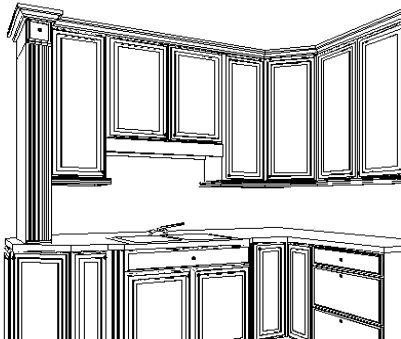
POST6X60

When you order the POST6X60, the PAN1560 will automatically be added as a separate line item by the order entry program. This is shipped separately from the POST.

**The inner door (DR1518) is sold separately. This is applied to the flush side of the POST.

Not available in Oak

Bridge with 6" Post (Used in Peninsula Applications)

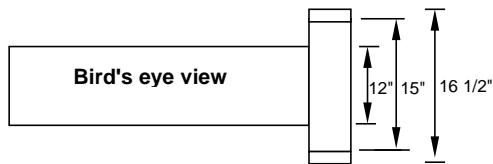


With Inner Door	Without Inner Door
POST6X60	POST6X60
UNISTRUT	UNISTRUT
PAN1560	PAN1560
DR1518	

The UNISTRUT is a wood support that is screwed into the top of all of the cabinets in the bridge - this is done by the installer.

The PAN1560 is a tall decorative door panel that is included in POST6x60 price but is shipped loose and must be installed on the recessed side of the POST.

The DR1518 is a loose door that can be ordered separately if customer prefers and is attached to the FLUSH side of the POST.



- Roundell = 1 1/8" Deep
- Plinth = 1 1/4" Deep
- Flat Reed Filler = 3/4" Deep

The POST6x60 is to be used at bridge end to support wall cabinets on peninsula. The UNISTRUT must be ordered for additional strength.

5/8" recessed on one side and flush on the other side. Apply PAN1560 to recessed side.

The POST6x60 is finished on the front and back; recessed side is not finished. Flush side is finished.

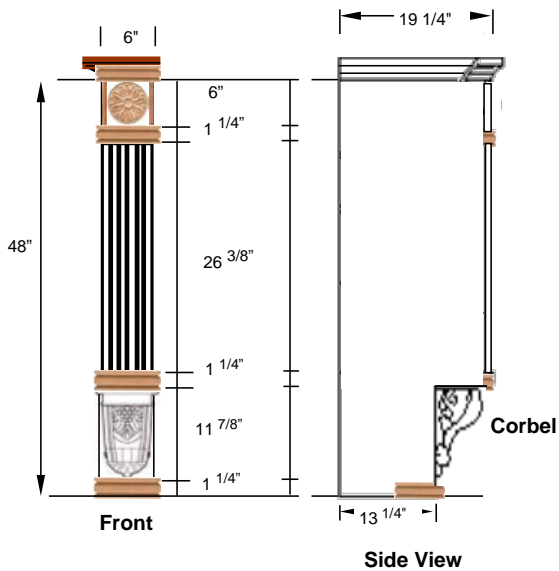
*In this Example we are giving the depth from the Roundells

Modular Decorative Items : Columns - 48" Height

Not available in Oak

6"x48" Column with Grape Corbel - 18" Deep

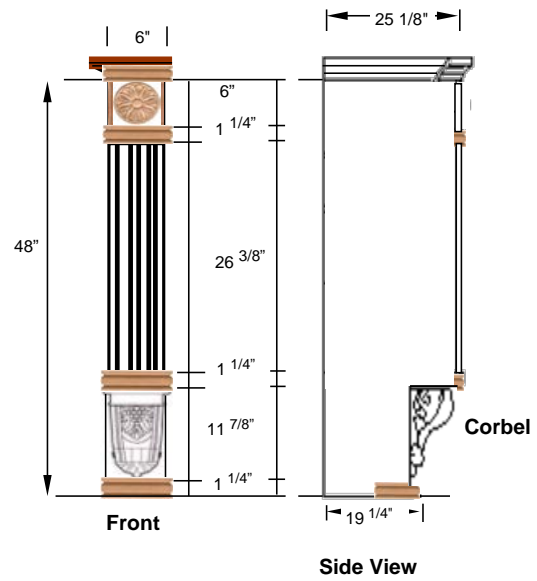
COL-COR6X48L
COL-COR6X48R



Not available in Oak

6"x48" Column with Grape Corbel - 24" Deep

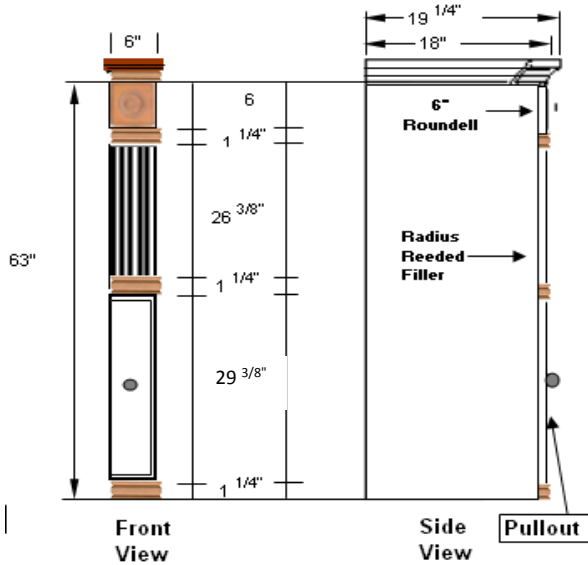
CCG064824L
CCG064824R



Not available in Oak

6"x 63" Column w/Pullout Spice Drawer - 18" Deep

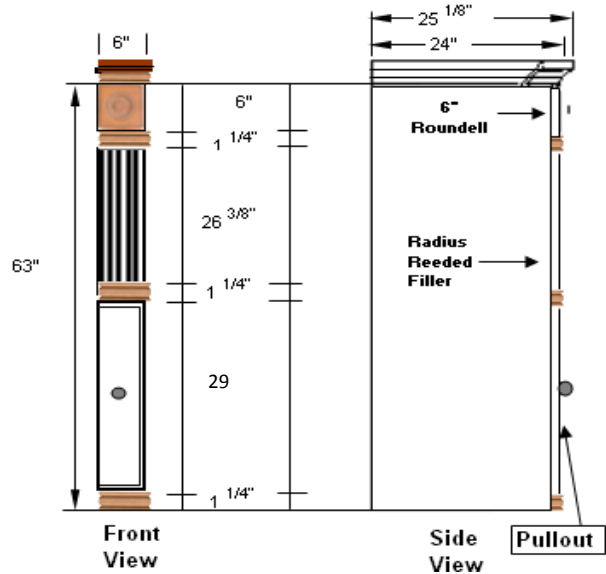
COL-PO6X63L
COL-PO6X63R



Not available in Oak

6"x 63" Column w/Pullout Spice Drawer - 24" Deep

CP066324L
CP066324R

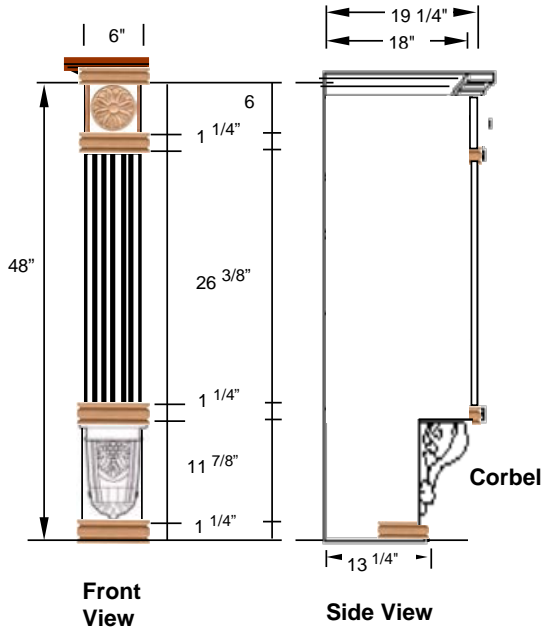


Modular Decorative Items : Columns - With Scroll Corbel

Not available in Oak

6"x48" Column with Scroll Corbel - 18" Deep

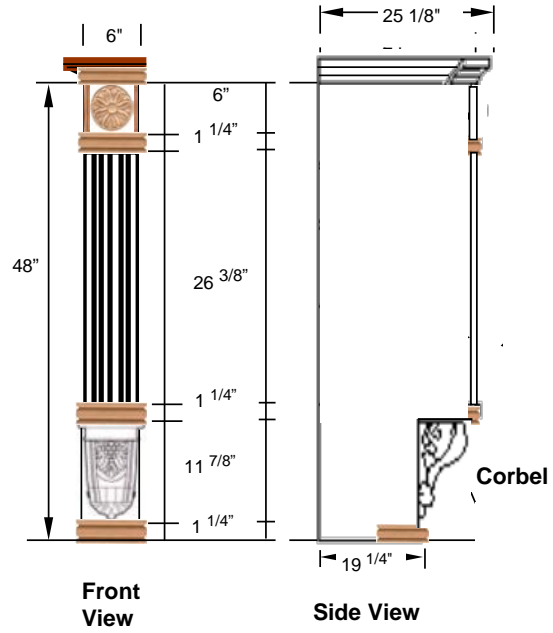
CCR064818L
CCR064818R



Not available in Oak

6"x48" Column with Scroll Corbel - 24" Deep

CCR064824L
CCR064824R



Modular Decorative Items : Column Corbel Shakers

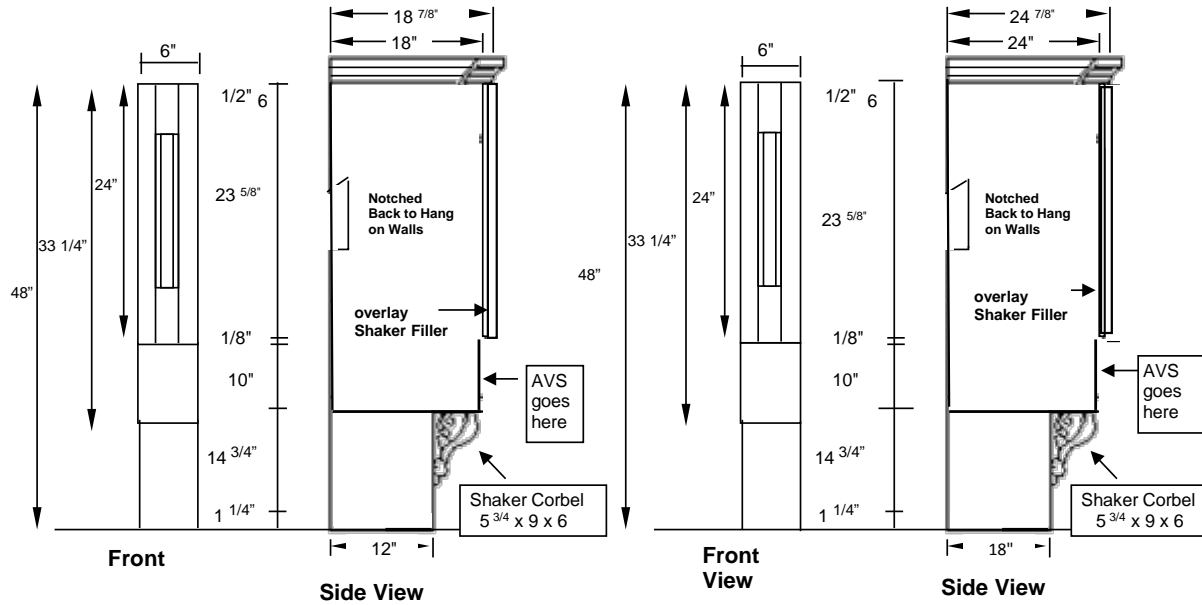
Not available in Oak

Not available in Oak

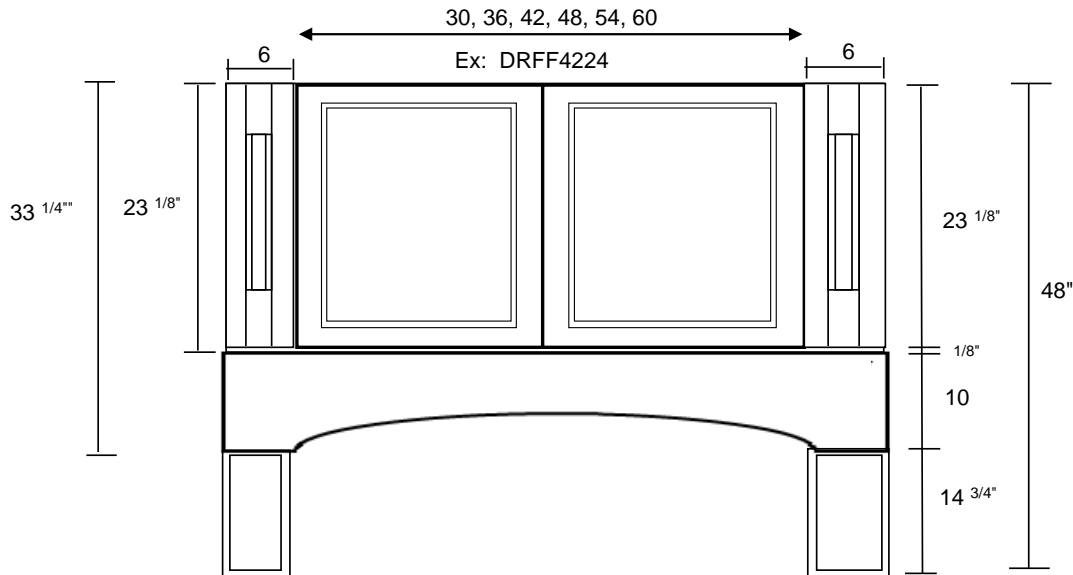
3" & 6"x48" & 36" Column Corbel Shaker - 18" D 3" & 6"x48" & 36" Column Corbel Shaker - 24" Depth

PCCS063618L
 PCCS063618R
 PCCS064818L
 PCCS064818R

PCCS063624L
 PCCS063624R
 PCCS064824L
 PCCS064824R



FRONT VIEW OF PCCS064818L/R OR PCCS064824L/R WITH DRFFS AND VALANCE



Note: The front frame is 24" high and the Arch Valance runs across both columns and is set

Modular Decorative Items : Column Corbel Shakers

Not available in Oak

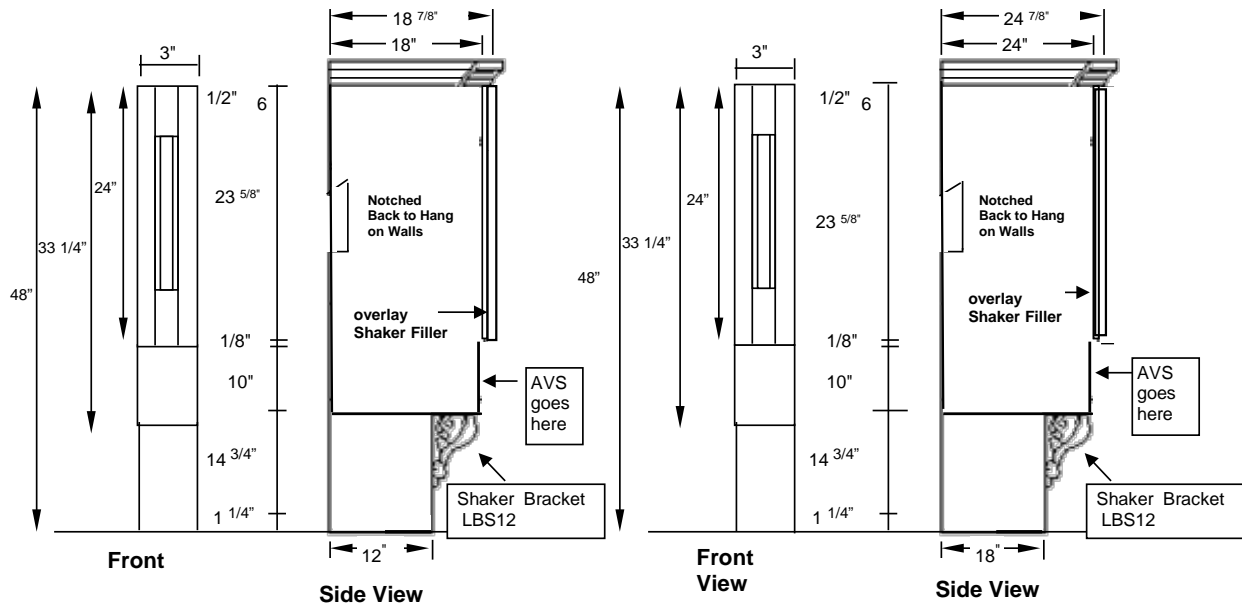
Not available in Oak

3"x48" Column Corbel Shaker - 18" Depth

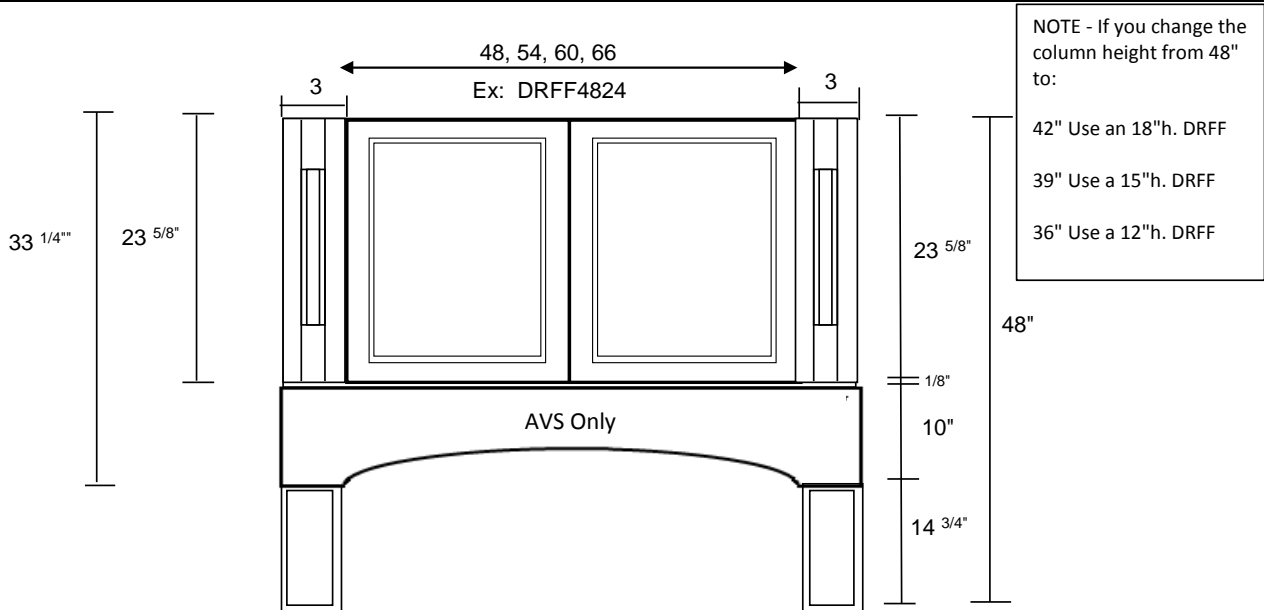
3" x48" Column Corbel Shaker - 24" Depth

PCCS034818L
PCCS034818R

PCCS034824L
PCCS034824R



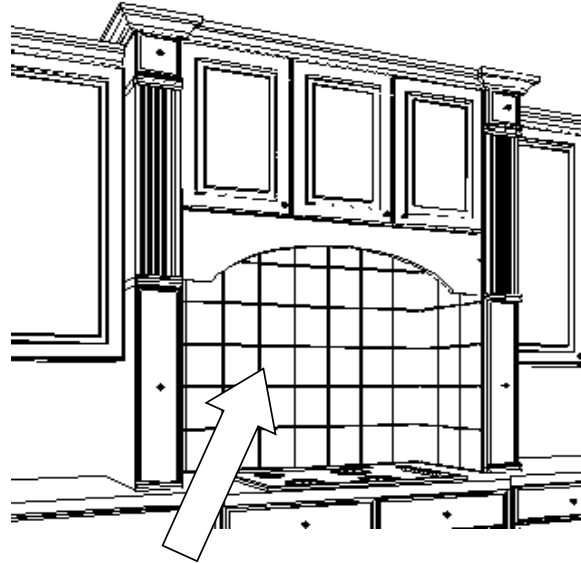
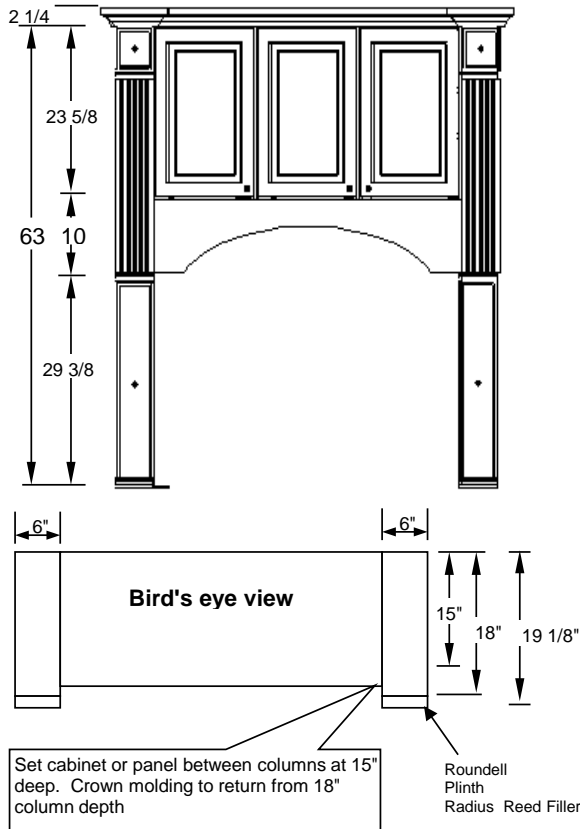
FRONT VIEW OF PCCS034818L/R OR PCCS034824L/R WITH DRFFS AND VALANCE



Note: The front frame is 24" high and the Arch Valance runs across both columns and is set 1/8" below DRFF and overlay fillers

Notch (14 3/4") and Valance (10") Can Not Be Changed

63" Tall Grotto with Pullouts & 6" Wide Columns



Sides and back of Grotto MUST be tiled.
 **MUST back columns off a minimum of 6" to left and right of cooking surface.
 **Please refer to cooktop/vent hood specifications for minimum clearances.

Roundell = 1 1/8" Deep
 Plinth = 1 1/4" Deep
 Radius Reed Filler = 1 1/16" Deep

**In this Example we are giving the depth from the Roundell

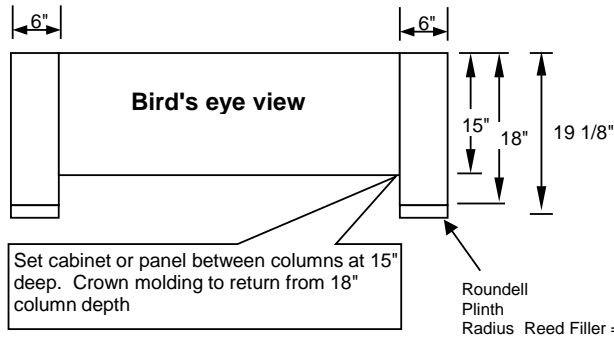
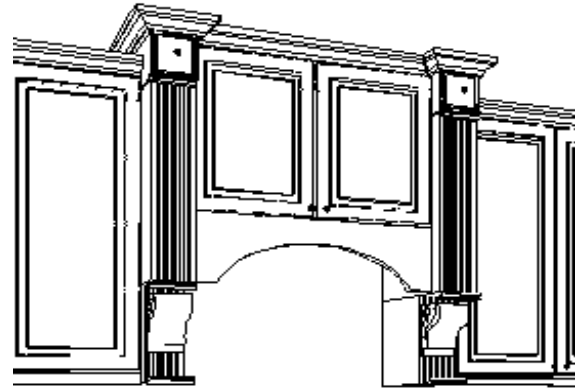
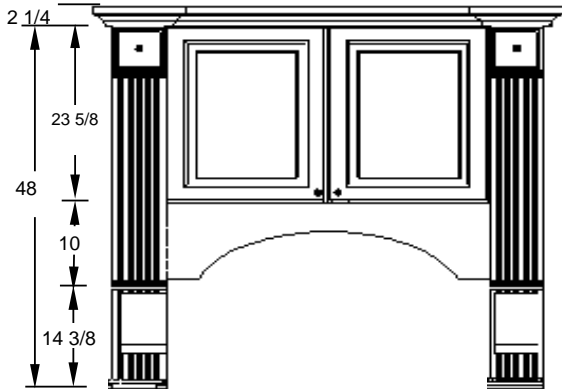
6" Grotto with Pullout : (Cooktop with Decorative Valance)

Cooktop/Range	30"	36"	42"	48"
Column Left	COL-PO6X63L	COL-PO6X63L	COL-PO6X63L	COL-PO6X63L
Column Right	COL-PO6X63R	COL-PO6X63R	COL-PO6X63R	COL-PO6X63R
Decorative-Arch	ARDV4210	ARDV4810	ARDV5410	ARDV6010
Frame w/Doors	DRFF4224	DRFF4824	DRFF5424	DRFF6024

6" Grotto with Pullout : (Cooktop with Arch Valance with Mantel)

Cooktop/Range	30"	36"	42"	48"
Column Left	COL-PO6X63L	COL-PO6X63L	COL-PO6X63L	COL-PO6X63L
Column Right	COL-PO6X63R	COL-PO6X63R	COL-PO6X63R	COL-PO6X63R
Arch Valance	AV4210	AV4810	AV5410	AV6010
Mantel	MANTEL39	MANTEL45	MANTEL51	MANTEL57
Frame w/Doors	DRFF4224	DRFF4824	DRFF5424	DRFF6024

48" Tall Grotto with Corbels & 6" Wide Columns



BTBM8 and bottom of Column must match height
Arch will be 30 7/8" above top
Set Column 16 1/2" above top.

**Please refer to cooktop/vent hood specifications for minimum clearances.

**In this Example we are giving the depth from the Roundell

6"x48" CORBEL - Cooktop with Decorative Valance

Cooktop/Range	30"	36"	42"	48"
Column Left	COL-COR6X48L	COL-COR6X48L	COL-COR6X48L	COL-COR6X48L
Column Right	COL-COR6X48R	COL-COR6X48R	COL-COR6X48R	COL-COR6X48R
Decorative-Arch	ARDV3010	ARDV3610	ARDV4210	ARDV4810
Frame w/Doors	DRFF3024*	DRFF3624**	DRFF4224	DRFF4824

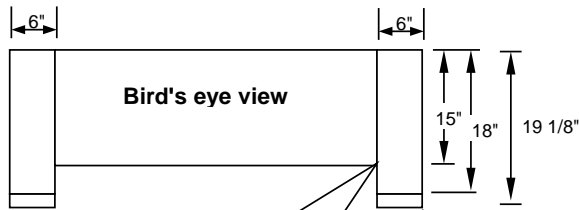
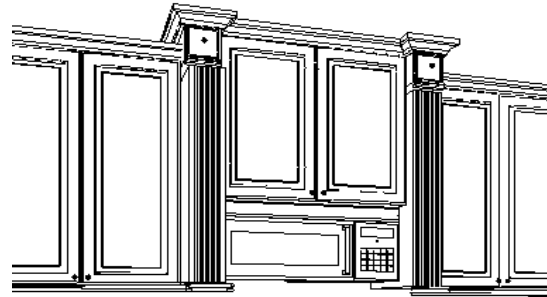
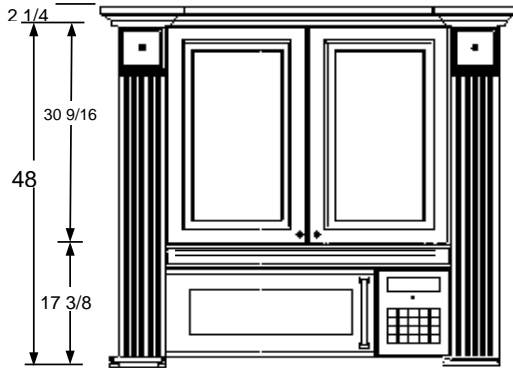
6"x48" - CORBEL - Cooktop with Arch Valance with Mantel

Cooktop/Range	30"	36"	42"	48"
Column Left	COL-COR6X48L	COL-COR6X48L	COL-COR6X48L	COL-COR6X48L
Column Right	COL-COR6X48R	COL-COR6X48R	COL-COR6X48R	COL-COR6X48R
Arch Valance	AV3010	AV3610	AV4210	AV4810
Mantel	MANTEL27	MANTEL33	MANTEL39	MANTEL45
Frame w/Doors	DRFF3024*	DRFF3624**	DRFF4224	DRFF4824

* or you can use a W302415

** or you can use a W362415

48" Tall Grotto with 6" Wide Columns



Set cabinet or panel between columns at 15" deep. Crown molding to return from 18" column depth

Roundell = 1 1/8" Deep
 Plinth = 1 1/4" Deep
 Radius Reed Filler = 1 1/16" Deep

**In this Example we are giving the depth from the Roundell

BTBM8 and bottom of Column must match height
 Set Column 16 1/2" above top.
 **Please refer to cooktop/vent hood specifications for minimum clearances.

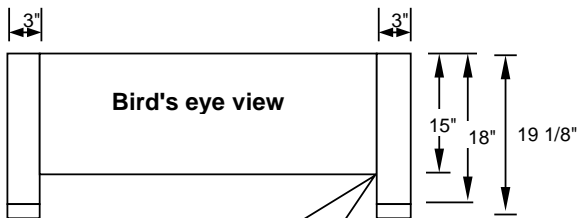
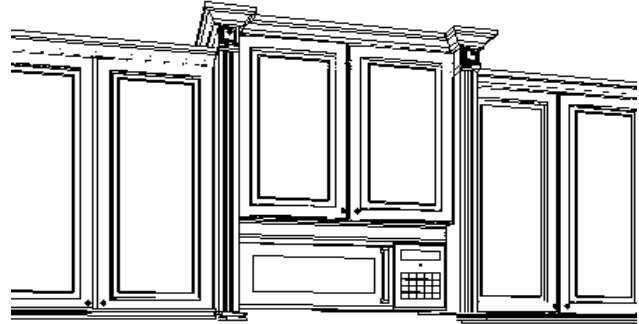
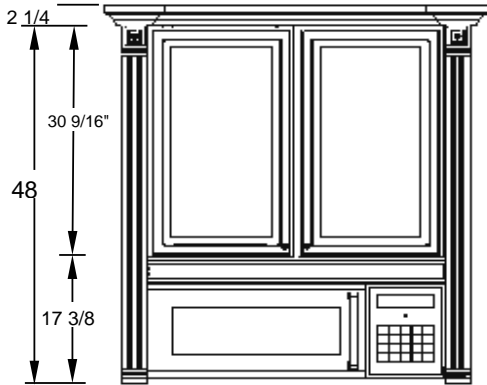
6"x48" - Microwave - Frame w/ Door

Microwave	30"	36"
Column Left	COL6X48L	COL6X48L
Column Right	COL6X48R	COL6X48R
Frame w/Doors	DRFF3030	DRFF3630

6"x48" - Microwave - with Cabinet

Microwave	30"	36"
Column Left	COL6X48L	COL6X48L
Column Right	COL6X48R	COL6X48R
Cabinet	W303015	W363015

48" Tall Grotto with 3" Wide Columns



Set cabinet or panel between columns at 15" deep. Crown molding to return from 18" column depth

- Roundell = 1 1/8" Deep
- Plinth = 1 1/4" Deep
- Flat Reed Filler = 3/4" Deep

**In this Example we are giving the depth from the Roundell

BTBM8 and bottom of Column must match height
Set Column 16 1/2" above top.

**Please refer to cooktop/vent hood specifications for minimum clearances.

3"x48" - Microwave - Frame w/ Door

Microwave	30"	36"
Column Left	COL3X48L	COL3X48L
Column Right	COL3X48R	COL3X48R
Frame w/Doors	DRFF3030	DRFF3630

3"x48" - Microwave - with Cabinet

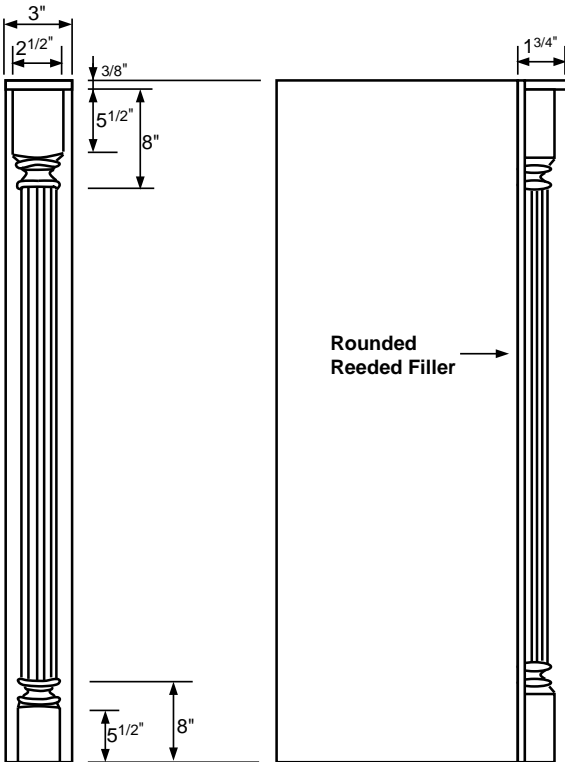
Microwave	30"	36"
Column Left	COL3X48L	COL3X48L
Column Right	COL3X48R	COL3X48R
Cabinet	W303015	W363015

Modular Decorative Items : Pilaster Columns

Not available in Oak

W H D

Pilaster Column Single-Sided



Front View

Side View

Wall- (13 3/4" Deep)

PIL3X30X12L/R	3	30 ^{9/16"}	13 ^{3/4"}
PIL3X36X12L/R	3	36	13 ^{3/4"}
PIL3X42X12L/R	3	41 ^{7/8"}	13 ^{3/4"}
PIL3X48X12L/R	3	48	13 ^{3/4"}
PIL3X54X12L/R	3	54	13 ^{3/4"}
PIL3X60X12L/R	3	60	13 ^{3/4"}

Wall- (16 3/4" Deep)

PIL3X48X15L/R	3	48	16 ^{3/4"}
PIL3X54X15L/R	3	54	16 ^{3/4"}
PIL3X60X15L/R	3	60	16 ^{3/4"}

Base (25 3/4" Deep)

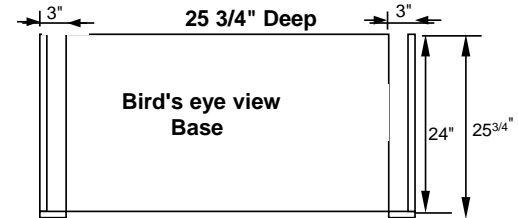
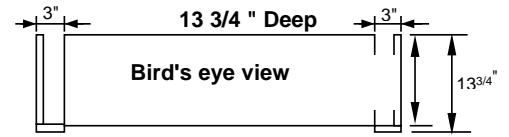
PIL3X35X24L/R	3	35	25 ^{3/4"}
---------------	---	----	--------------------

Tall- (13 3/4" Deep)

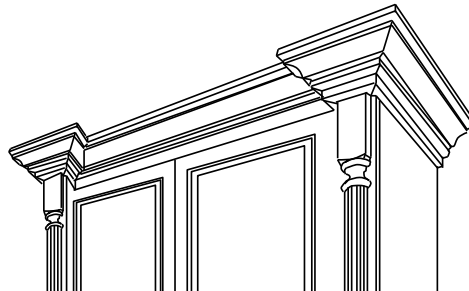
PIL3X84X12L/R	3	84	13 ^{3/4"}
PIL3X90X12L/R	3	90	13 ^{3/4"}
PIL3X96X12L/R	3	96	13 ^{3/4"}

Tall- (25 3/4" Deep)

PIL3X84X24L/R	3	84	25 ^{3/4"}
PIL3X90X24L/R	3	90	25 ^{3/4"}
PIL3X96X24L/R	3	96	25 ^{3/4"}



Not available in Oak



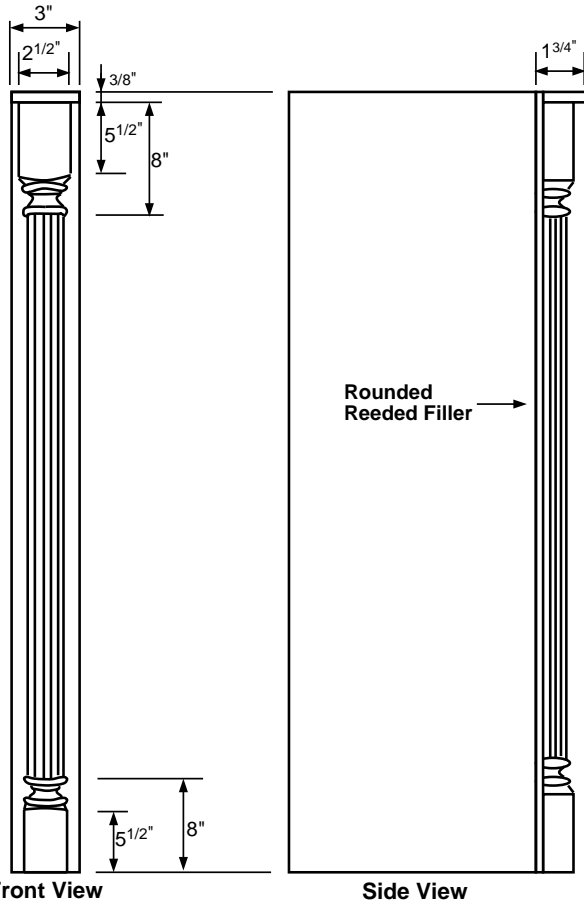
Modular Decorative Items : Pilaster Columns

Not available in Oak

Pilaster Column Double -Sided

W H D

(Box not Finished on top or bottom)



Wall- (13 3/4" Deep)

PIL3X30X12	3	30 ^{9/16"}	13 ^{3/4"}
PIL3X36X12	3	36	13 ^{3/4"}
PIL3X42X12	3	41 ^{7/8"}	13 ^{3/4"}
PIL3X48X12	3	48	13 ^{3/4"}
PIL3X54X12	3	54	13 ^{3/4"}
PIL3X60X12	3	60	13 ^{3/4"}

Wall- (16 3/4" Deep)

PIL3X48X15	3	48	16 ^{3/4"}
PIL3X54X15	3	54	16 ^{3/4"}
PIL3X60X15	3	60	16 ^{3/4"}

Base (25 3/4" Deep)

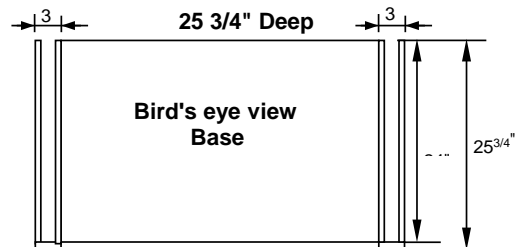
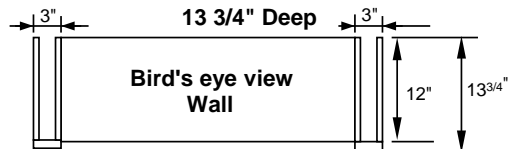
PIL3X35X24	3	35	25 ^{3/4"}
------------	---	----	--------------------

Tall- (13 3/4" Deep)

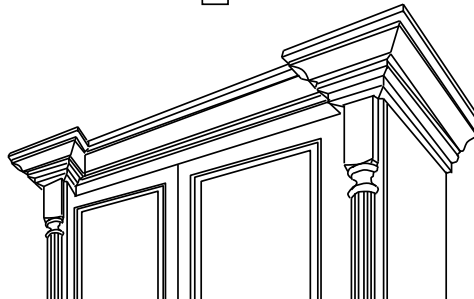
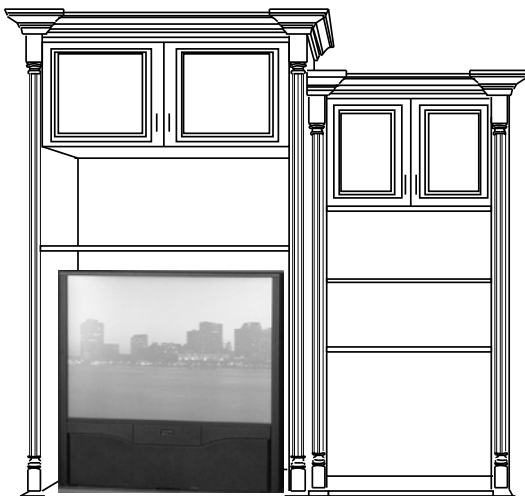
PIL3X84X12	3	84	13 ^{3/4"}
PIL3X90X12	3	90	13 ^{3/4"}
PIL3X96X12	3	96	13 ^{3/4"}

Tall- (25 3/4" Deep)

PIL3X84X24	3	84	25 ^{3/4"}
PIL3X90X24	3	90	25 ^{3/4"}
PIL3X96X24	3	96	25 ^{3/4"}



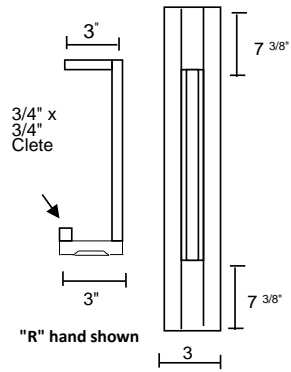
Not available in Oak



Modular Decorative Items : Pilasters

Not available in Oak

PS Pilaster "Shaker" Single Sided



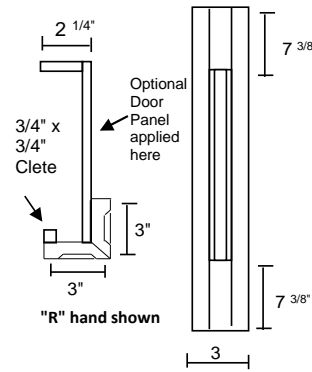
Box not Finished on top or bottom

Actual Heights:
 30 = 30 9/16
 36 = 36
 42 = 41 7/8
 48 = 48
 54 = 54
 60 = 60
 84 = 84
 90 = 90
 96 = 96
 102 = 102

Base (24 7/8" Deep)
 PS033524L/R
Wall- (12 7/8" Deep)
 PS033012L/R
 PS033612L/R
 PS034212L/R
 PS034812L/R
 PS035412L/R
 PS036012L/R
Wall- 15 7/8" Deep
 PS034815L/R
 PS035415L/R
 PS036015L/R
Tall- (12 7/8" Deep)
 PS038412L/R
 PS039012L/R
 PS039612L/R
 PS0310212L/R
Tall- (24 7/8" Deep)
 PS038424L/R
 PS039024L/R
 PS039624L/R
 PS0310224L/R

Not available in Oak

PES Pilaster End "Shaker" Single Sided



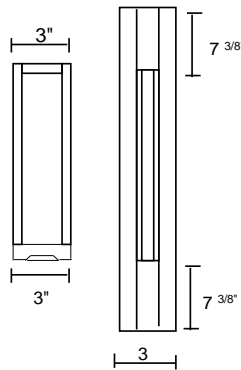
Box not Finished on top or bottom

Actual Heights:
 30 = 30 9/16
 36 = 36
 42 = 41 7/8
 48 = 48
 54 = 54
 60 = 60
 84 = 84
 90 = 90
 96 = 96
 102 = 102

Base (24 7/8" Deep)
 PES033524L/R
Wall- (12 7/8" Deep)
 PES033012L/R
 PES033612L/R
 PES034212L/R
 PES034812L/R
 PES035412L/R
 PES036012L/R
Wall- 15 7/8" Deep
 PES034815L/R
 PES035415L/R
 PES036015L/R
Tall- (12 7/8" Deep)
 PES038412L/R
 PES039012L/R
 PES039612L/R
 PES0310212L/R
Tall- (24 7/8" Deep)
 PES038424L/R
 PES039024L/R
 PES039624L/R
 PES0310224L/R

Not available in Oak

PS Pilaster "Shaker" Double Sided



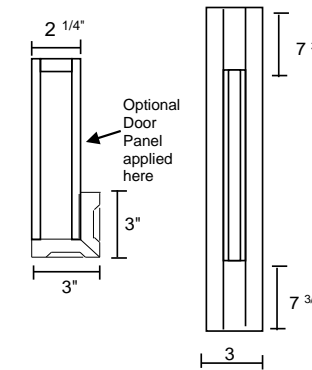
Box not Finished on top or bottom

Actual Heights:
 30 = 30 9/16
 36 = 36
 42 = 41 7/8
 48 = 48
 54 = 54
 60 = 60
 84 = 84
 90 = 90
 96 = 96
 102 = 102

Base (24 7/8" Deep)
 PS033524
Wall- (12 7/8" Deep)
 PS033012
 PS033612
 PS034212
 PS034812
 PS035412
 PS036012
Wall- 15 7/8" Deep
 PS034815
 PS035415
 PS036015
Tall- (12 7/8" Deep)
 PS038412
 PS039012
 PS039612
 PS0310212
Tall- (24 7/8" Deep)
 PS038424
 PS039024
 PS039624
 PS0310224

Not available in Oak

PES Pilaster End "Shaker" Double Sided



Box not Finished on top or bottom

Actual Heights:
 30 = 30 9/16
 36 = 36
 42 = 41 7/8
 48 = 48
 54 = 54
 60 = 60
 84 = 84
 90 = 90
 96 = 96
 102 = 102

Base (24 7/8" Deep)
 PES033524
Wall- (12 7/8" Deep)
 PES033012
 PES033612
 PES034212
 PES034812
 PES035412
 PES036012
Wall- 15 7/8" Deep
 PES034815
 PES035415
 PES036015
Tall- (12 7/8" Deep)
 PES038412
 PES039012
 PES039612
 PES0310212
Tall- (24 7/8" Deep)
 PES038424
 PES039024
 PES039624
 PES0310224

RECOMMENDATION:

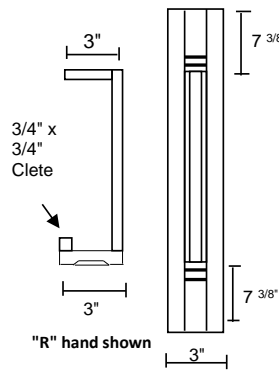
On 12" Deep PES/PET columns order overlay door as: 9 3/4" depth
 On 15" Deep PES/PET columns order overlay door as: 12 3/4" depth
 On 24" Deep PES/PET columns order overlay door as: 21 3/4" depth
 Height of overlay door must match height of adjacent cabinet

Modular Decorative Items : Pilasters

****Note:** Transitional pieces are intended for use with Newport door style

Not available in Oak

PT Pilaster "Transitional" Single Sided



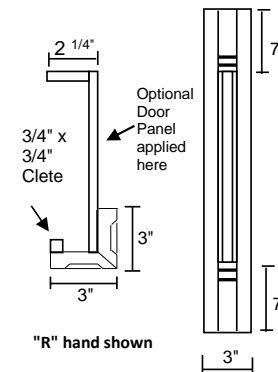
Box not Finished on top or bottom

- Actual Heights:
 30 = 30 9/16
 36 = 36
 42 = 41 7/8
 48 = 48
 54 = 54
 60 = 60
 84 = 84
 90 = 90
 96 = 96
 102 = 102

- Base (24 7/8" Deep)
 PT033524L/R
Wall- (12 7/8" Deep)
 PT033012L/R
 PT033612L/R
 PT034212L/R
 PT034812L/R
 PT035412L/R
 PT036012L/R
Wall- 15 7/8" Deep
 PT034815L/R
 PT035415L/R
 PT036015L/R
Tall- (12 7/8" Deep)
 PT038412L/R
 PT039012L/R
 PT039612L/R
 PT0310212L/R
Tall- (24 7/8" Deep)
 PT038424L/R
 PT039024L/R
 PT039624L/R
 PT0310224L/R

Not available in Oak

PET Pilaster End "Transitional" Single Sided



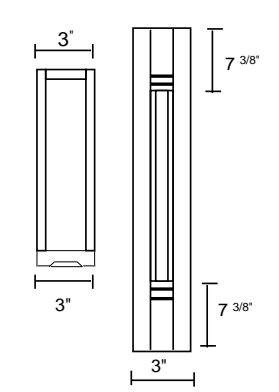
Box not Finished on top or bottom

- Actual Heights:
 30 = 30 9/16
 36 = 36
 42 = 41 7/8
 48 = 48
 54 = 54
 60 = 60
 84 = 84
 90 = 90
 96 = 96
 102 = 102

- Base (24 7/8" Deep)
 PET033524L/R
Wall- (12 7/8" Deep)
 PET033012L/R
 PET033612L/R
 PET034212L/R
 PET034812L/R
 PET035412L/R
 PET036012L/R
Wall- 15 7/8" Deep
 PET034815L/R
 PET035415L/R
 PET036015L/R
Tall- (12 7/8" Deep)
 PET038412L/R
 PET039012L/R
 PET039612L/R
 PET0310212L/R
Tall- (24 7/8" Deep)
 PET038424L/R
 PET039024L/R
 PET039624L/R
 PET0310224L/R

Not available in Oak

PT Pilaster "Transitional" Double Sided



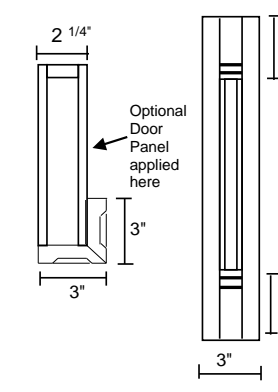
Box not Finished on top or bottom

- Actual Heights:
 30 = 30 9/16
 36 = 36
 42 = 41 7/8
 48 = 48
 54 = 54
 60 = 60
 84 = 84
 90 = 90
 96 = 96
 102 = 102

- Base (24 7/8" Deep)
 PT033524
Wall- (12 7/8" Deep)
 PT033012
 PT033612
 PT034212
 PT034812
 PT035412
 PT036012
Wall- 15 7/8" Deep
 PT034815
 PT035415
 PT036015
Tall- (12 7/8" Deep)
 PT038412
 PT039012
 PT039612
 PT0310212
Tall- (24 7/8" Deep)
 PT038424
 PT039024
 PT039624
 PT0310224

Not available in Oak

PET Pilaster End "Transitional" Double Sided



Box not Finished on top or bottom

- Actual Heights:
 30 = 30 9/16
 36 = 36
 42 = 41 7/8
 48 = 48
 54 = 54
 60 = 60
 84 = 84
 90 = 90
 96 = 96
 102 = 102

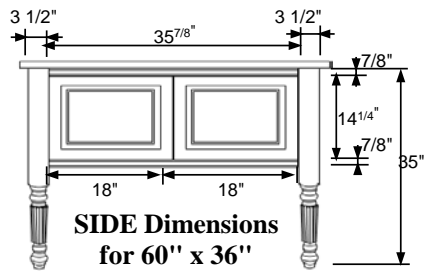
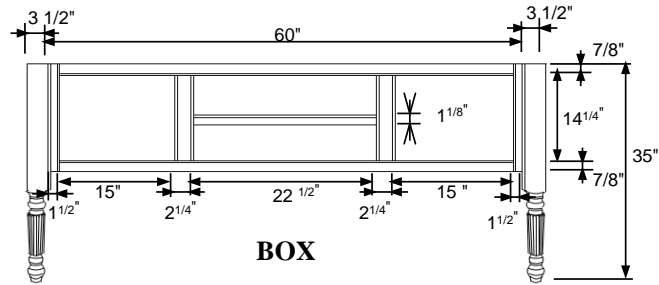
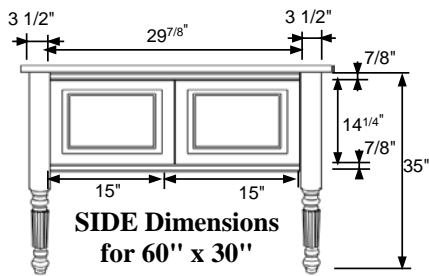
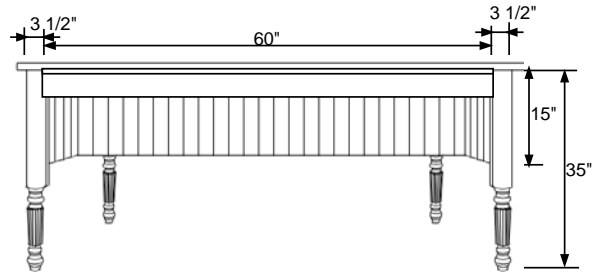
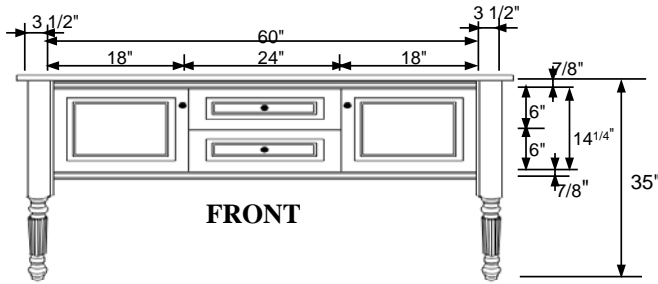
- Base (24 7/8" Deep)
 PET033524
Wall- (12 7/8" Deep)
 PET033012
 PET033612
 PET034212
 PET034812
 PET035412
 PET036012
Wall- 15 7/8" Deep
 PET034815
 PET035415
 PET036015
Tall- (12 7/8" Deep)
 PET038412
 PET039012
 PET039612
 PET0310212
Tall- (24 7/8" Deep)
 PET038424
 PET039024
 PET039624
 PET0310224

RECOMMENDATION:

- On 12" Deep PES/PET columns order overlay door as: 9 3/4" depth
 - On 15" Deep PES/PET columns order overlay door as: 12 3/4" depth
 - On 24" Deep PES/PET columns order overlay door as: 21 3/4" depth
- Height of overlay door must match height of adjacent cabinet

Modular Decorative Items : Island Tables

Island Table - 60" Wide & 30" Deep Island Table - 60" Wide & 36" Deep



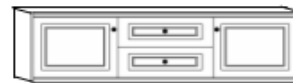
Not available in Oak
Available in VHS Only

Dimensions		Front Face Doors & Drawers	Side Door Panels	Minimal Top Dimensions
Box	Overall			
60" X 30"	67" X 37"	2 - DR1815 2 - DH2406	4 - DR1515	70" X 40"
60" X 36"	67" X 43"	2 - DR1815 2 - DH2406	4 - DR1815	70" X 46"

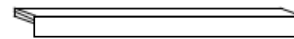


Boxed and Shipped as 3 units

- ① Legs w/ Sides
- ② Box w/ Doors & Drawers



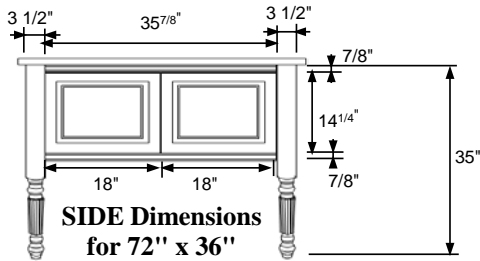
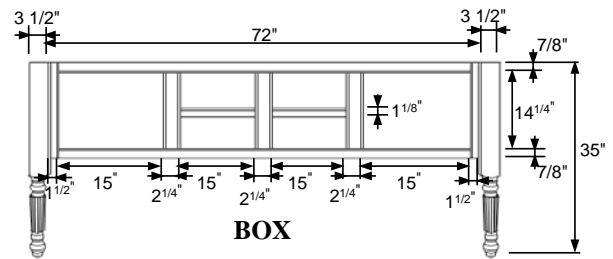
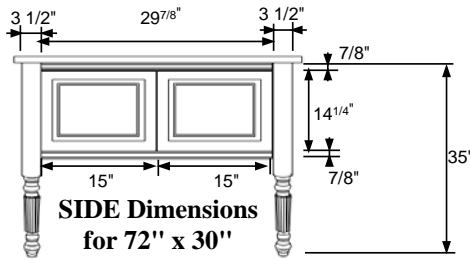
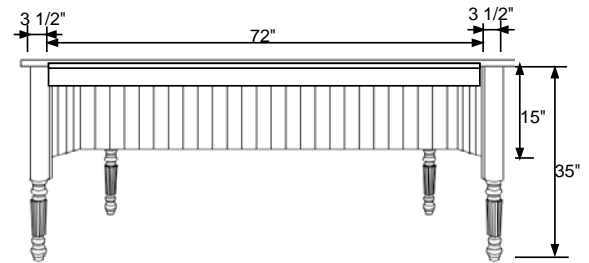
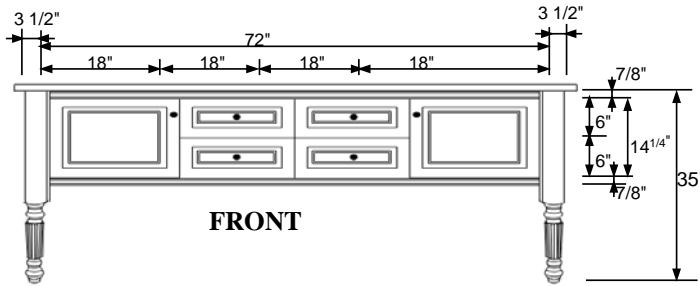
- ③ Support



For countertops-
Island Table must be templated on job site!!!

Modular Decorative Items : Island Tables

Island Table - 72" Wide & 30" Deep Island Table - 72" Wide & 36" Deep



Not available in Oak
Available in VHS Only

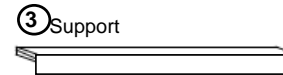
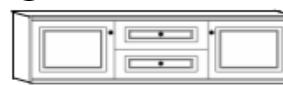
Dimensions		Front Face Doors & Drawers	Side Door Panels	Minimal Top Dimensions
Box	Overall			
72" X 30"	79" X 37"	2 - DR1815 4 - DH1806	4 - DR1515	82" X 40"
72" X 36"	79" X 43"	2 - DR1815 4 - DH1806	4 - DR1815	82" X 46"



**For countertops-
Island Table must be templated on job site!!!**

Boxed and Shipped as 3 units

- ① Legs w/ Sides
- ② Box w/ Doors & Drawers



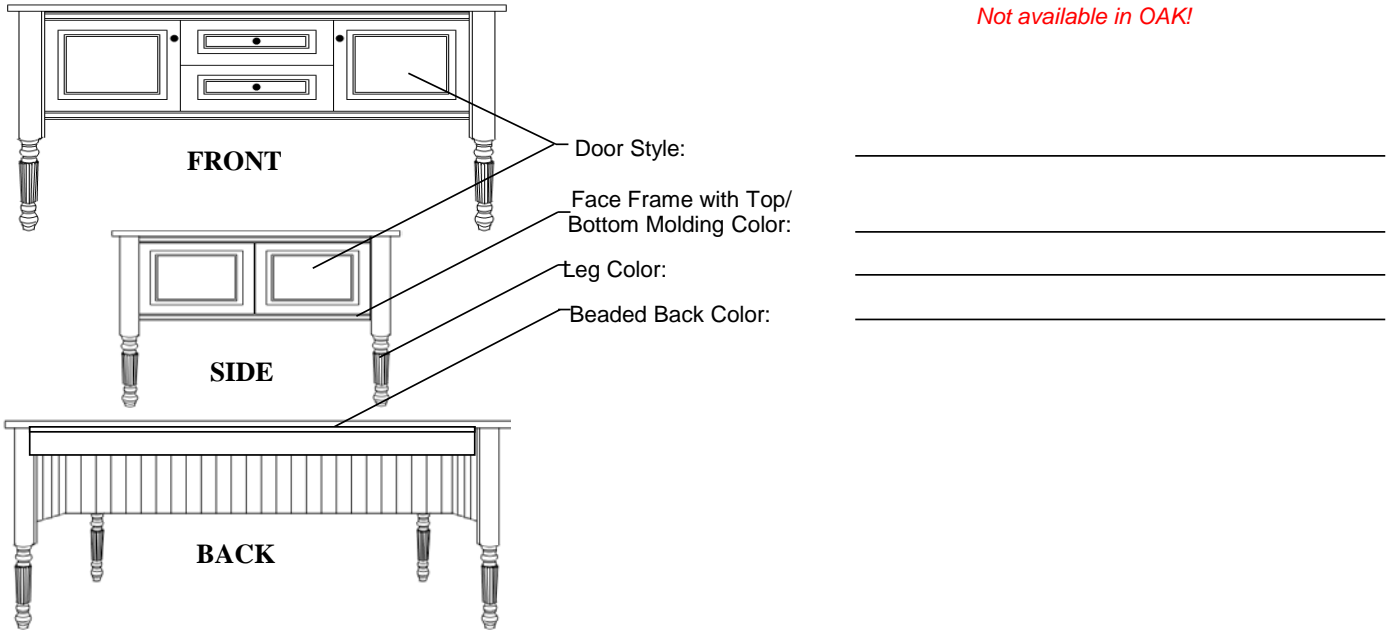
Island Table Order Form

Order Number: _____
 Project: _____

Builder Name: _____
 Lot #: _____

Island Table: _____

*Available in VHS only!
 Not available in OAK!*



Important Information:

Dimensions		Front Face Doors & Drawers	Side Door Panels	Minimal Top Dimensions	Picture
Box	Overall				
60" X 30"	67" X 37"	2 - DR1815 & 2 - DH2406	4 - DR1515	70" X 40"	
60" X 36"	67" X 43"	2 - DR1815 & 2 - DH2406	4 - DR1815	70" X 46"	
72" X 30"	79" X 37"	2 - DR1815 & 4 - DH1806	4 - DR1515	82" X 40"	
72" X 36"	79" X 43"	2 - DR1815 & 4 - DH1806	4 - DR1815	82" X 46"	

Note: For more detailed information, refer to the Specifications Book.

For countertops - Island Table must be templated on job site!!!

