

- *Index*
- *Fillers*
- *End Panels*
- *End Fillers*
- *Decorative End Panels*

Fillers & Panels

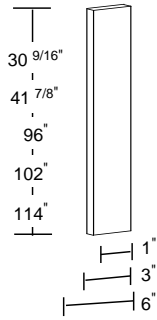
Page located	Cabinet Type	Nomenclature
124	Base End Panel	EPB
120	Corner Filler Base (Flat or Overlay)	CFB3
120	Corner Filler Wall (Flat or Overlay)	CFW3
128	Decorative End Panels	EPDR
122	Diagonal Filler Inside Corner "Shaker"	DFICS
122	Diagonal Filler Inside Corner "Transitional"	DFICT
126	Diagonal Reeded End Filler	DREF
122	Diagonal Reeded Filler	DRF
122	Diagonal Reeded Filler Inside Corner	DRFIC
119	End Corner Filler	ECF
125	End Filler Flat	EFF
125	End Filler Overlay	EFO
125	End Filler Reeded	EFR
124	End Panel	EP
123	Filler "Pilaster"	FP
123	Filler "Shaker"	FS
123	Filler "Transitional"	FT
119	Filler (Flat or Overlay)	F
121	Filler 45°	F45
119	Filler Reeded	FR
124	Laminate Sheets	LAMINATE
124	Panel Backer	PB
124	Panel Backer "Beaded"	PBB
120	Reeded Corner Filler Base	RCFB
119	Starter Filler	F58
124	Wall End Panel	EPW

Fillers & Panels : Fillers

Fillers

	Length	Width	Thickness	
--	--------	-------	-----------	--

Fillers (GHS and CHS)

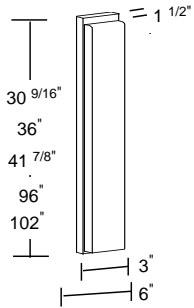


F1	30 ^{9/16}	1	3/4
F3	30 ^{9/16}	3	3/4
F6	30 ^{9/16}	6	3/4
F3/42	41 ^{7/8}	3	3/4
F6/42	41 ^{7/8}	6	3/4
F3/96*	96	3	3/4
F6/96*	96	6	3/4
F3/102	102	3	3/4
F3/114	114	3	3/4
F6/114	114	6	3/4

If you order GHS or CHS you will receive a flat filler

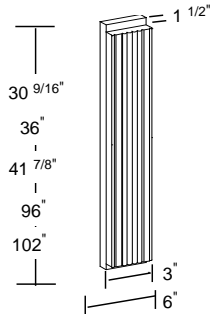
*Edges are finished

Fillers w/Overlay (Vassar House Series only)



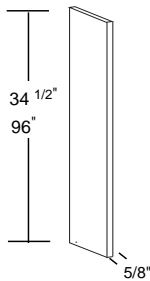
F1	30 ^{9/16}	1	1 1/2
F3	30 ^{9/16}	3	1 1/2
F6	30 ^{9/16}	6	1 1/2
F3/36	36	3	1 1/2
F6/36	36	6	1 1/2
F3/42	41 ^{7/8}	3	1 1/2
F6/42	41 ^{7/8}	6	1 1/2
F3/96	96	3	1 1/2
F3/102	102	3	1 1/2

Filler with Reeded Overlay



FR3/30	30 ^{9/16}	3	1 1/2
FR6/30	30 ^{9/16}	6	1 1/2
FR3/36	36	3	1 1/2
FR6/36	36	6	1 1/2
FR3/42	41 ^{7/8}	3	1 1/2
FR6/42	41 ^{7/8}	6	1 1/2
FR3/96	96	3	1 1/2
FR6/96	96	6	1 1/2
FR3/102	102	6	1 1/2

Starter Fillers

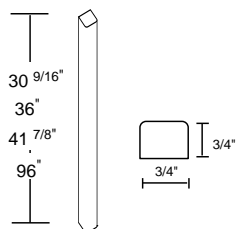


F5834	34 ^{1/2}	4	5/8
F5896	96	4	5/8

Starter filler used to create space between the cabinet and the wall to allow doors and drawers to open properly

Edge - Banded side is the 5/8" thick finished side

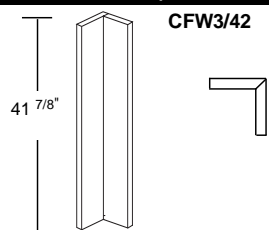
End Corner Fillers



ECF30	30 ^{9/16}	3/4	3/4
ECF36	36	3/4	3/4
ECF42	41 ^{7/8}	3/4	3/4
ECF96	96	3/4	3/4

Fillers

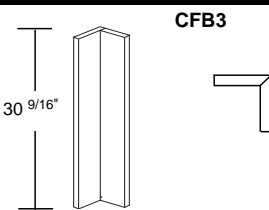
Corner Filler Wall (GHS and CHS)

	Length	Width1	Width2	
	41 ^{7/8}	3	3	CFW3/42 Corner Filler Base 3x3 Provides 3" Clearance in each direction

Corner Filler Wall Overlay (VHS)

	41 ^{7/8}	3	3	CFW3/42 Corner Filler Base 3x3 with overlay Provides 3" Clearance in each direction
---	-------------------	---	---	--

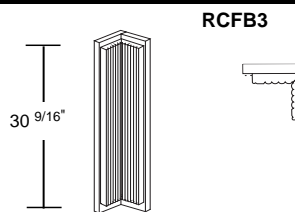
Corner Filler Base (GHS and CHS)

	30 ^{9/16}	3	3	CFB3 Corner Filler Base 3x3 Provides 3" Clearance in each direction
--	--------------------	---	---	--

Corner Filler Base w/Overlay (Vassar House Series only)

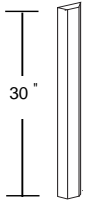
	30 ^{9/16}	3	3	CFB3 Corner Filler Base 3x3 with overlay Provides 3" Clearance in each direction
---	--------------------	---	---	---

Reeded Corner Filler Base

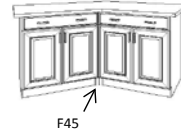
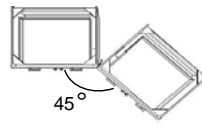
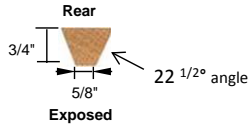
	30 ^{9/16}	3	3	RCFB3 Reed Corner Filler Base 3x3 Provides 3" Clearance in each direction
---	--------------------	---	---	--

Fillers

	Length	Width 1	Width 2
Angle Fillers			

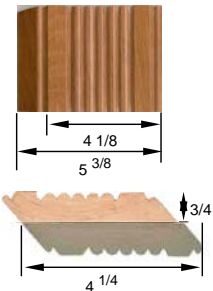


F45 30 3/4 5/8



Fillers

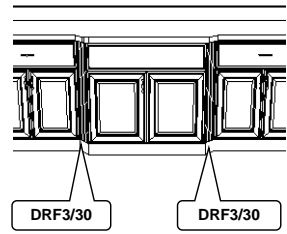
Diagonal Reeded Filler



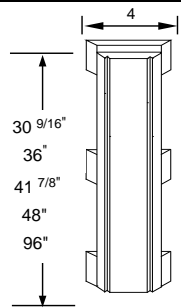
	Length	Width	Thickness
DRF3/30	30 1/2	4 1/8	1 1/2
DRF3/96	96	4 1/8	1 1/2

DRF3/30:
Backer piece is 30 1/2" high
Reed Filler is 29 1/2" high

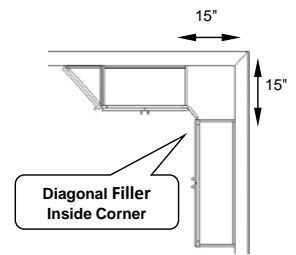
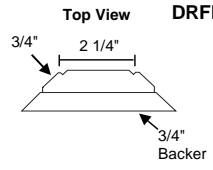
DRF3/96:
Backer piece is 96" high
Reeded Filler is 95 1/2" high



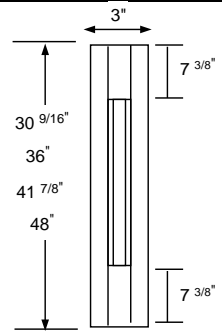
Diagonal Filler Inside Corner



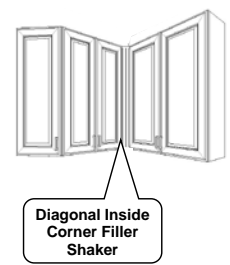
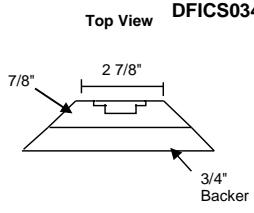
	Length	Width	Thickness
DRFIC3X3/30	30 9/16	4 1/8	1 1/2
DRFIC3X3/36	36	4 1/8	1 1/2
DRFIC3X3/42	41 7/8	4 1/8	1 1/2
DRFIC3X3/48	48	4 1/8	1 1/2
DRFIC3X3/96	96	4 1/8	1 1/2



Diagonal Filler Inside Corner "Shaker"



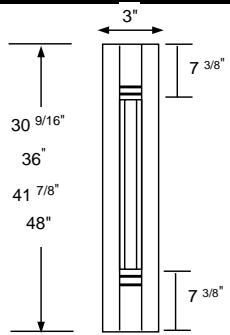
	Length	Width	Thickness
DFICS0330	30 9/16	4 1/8	1 1/2
DFICS0336	36	4 1/8	1 1/2
DFICS0342	41 7/8	4 1/8	1 1/2
DFICS0348	48	4 1/8	1 1/2



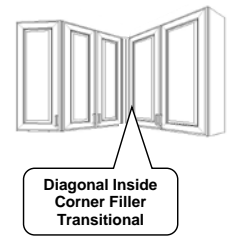
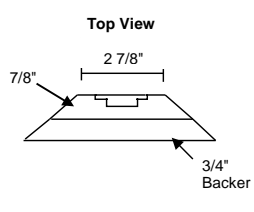
Crown molding should overlay the filler

Not available in Oak

Diagonal Filler Inside Corner "Transitional"



	Length	Width	Thickness
DFICT0330	30 9/16	4 1/8	1 1/2
DFICT0336	36	4 1/8	1 1/2
DFICT0342	41 7/8	4 1/8	1 1/2
DFICT0348	48	4 1/8	1 1/2

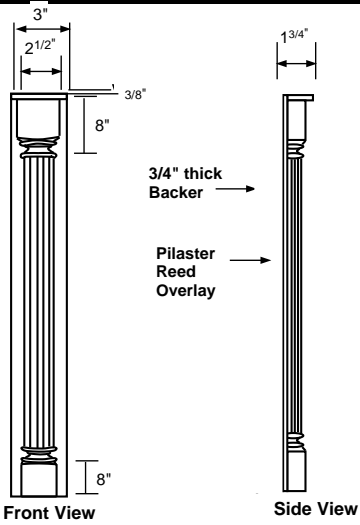


Crown molding should overlay the filler

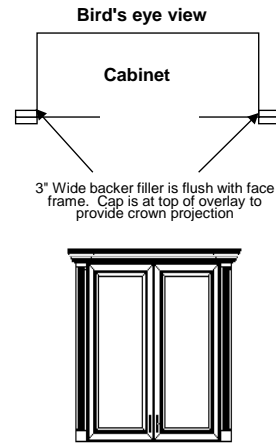
Not available in Oak

Fillers

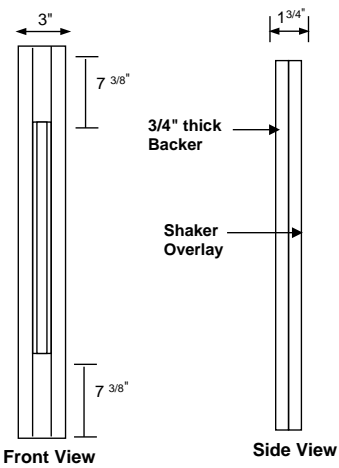
Filler Pilaster



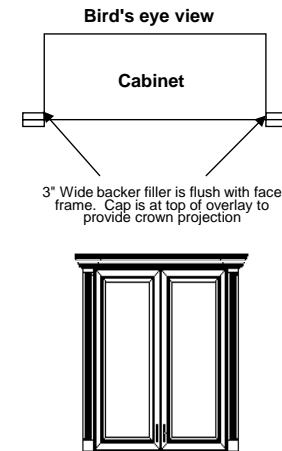
Part Number	Length	Width	Thickness
FP0330	30 ⁹ / ₁₆	3	1 ³ / ₄
FP0335	35	3	1 ³ / ₄
FP0336	36	3	1 ³ / ₄
FP0342	42	3	1 ³ / ₄
FP0348	48	3	1 ³ / ₄
FP0354	54	3	1 ³ / ₄
FP0360	60	3	1 ³ / ₄
FP0384	84	3	1 ³ / ₄
FP0390	90	3	1 ³ / ₄
FP0396	96	3	1 ³ / ₄
FP03102	102	3	1 ³ / ₄



Filler "SHAKER"

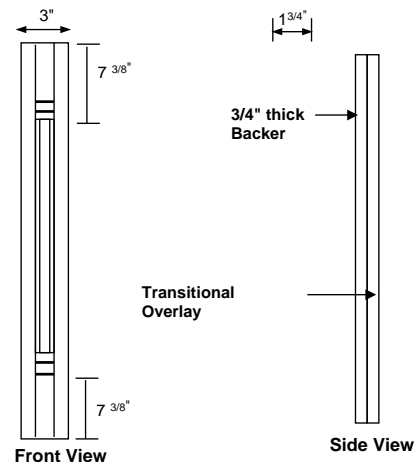


Part Number	Length	Width	Thickness
FS0330	30 ⁹ / ₁₆	3	1 ³ / ₄
FS0335	35	3	1 ³ / ₄
FS0336	36	3	1 ³ / ₄
FS0342	41 ⁷ / ₈	3	1 ³ / ₄
FS0348	48	3	1 ³ / ₄
FS0354	54	3	1 ³ / ₄
FS0360	60	3	1 ³ / ₄
FS0384	84	3	1 ³ / ₄
FS0390	90	3	1 ³ / ₄
FS0396	96	3	1 ³ / ₄
FS03102	102	3	1 ³ / ₄

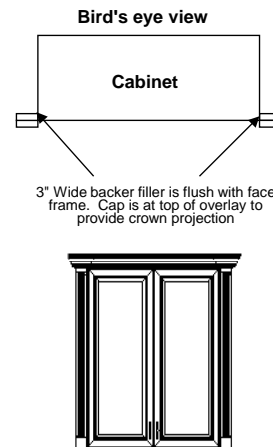


Filler "TRANSITIONAL"

*Intended for use with VHS Newport door Style

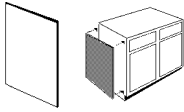


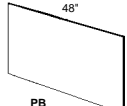
Part Number	Length	Width	Thickness
FT0330	30 ⁹ / ₁₆	3	1 ³ / ₄
FT0335	35	3	1 ³ / ₄
FT0336	36	3	1 ³ / ₄
FT0342	41 ⁷ / ₈	3	1 ³ / ₄
FT0348	48	3	1 ³ / ₄
FT0354	54	3	1 ³ / ₄
FT0360	60	3	1 ³ / ₄
FT0384	84	3	1 ³ / ₄
FT0390	90	3	1 ³ / ₄
FT0396	96	3	1 ³ / ₄
FT03102	102	3	1 ³ / ₄




Fillers & Panels : End Panels

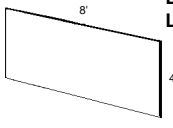
End Panels

		Depth	Height	Thickness	
End Panels (Skins)					
	EPB34	23 1/4"	30 5/16"	1/32"	EPB and EPW fit behind the face frame of unfinished cabinet side Black Mocha and Willow finishes are 1/32" thick painted veneer. Auburn Black Distressed, Chestnut Distressed and Walnut Black Distressed finishes are 1/32" Stained Veneer All other finishes are 1/32" thick High Pressure Laminate (HPL)
	EPW30	11 1/4"	30 5/16"	1/32"	
	EPW42	11 1/4"	41 7/8"	1/32"	

		Depth	Height	Thickness	
Panel Backer					
	PB34	48"	34 1/2"	1/4"	Black Mocha and Willow finishes are 1/4" thick painted MDF Auburn Black Distressed, Chestnut Distressed, Walnut Black Distressed are 1/4" thick Stained Veneer Panel All other finishes are 1/4" thick melamine
	PB42	48"	42"	1/4"	

		Depth	Height	Thickness	
Panel Backer Beaded					
	PBB34	48"	34 1/2"	1/4"	Wood Finishes are 1/4" thick Veneer Stained Painted Finishes are 1/4" thick Medium Density Fiberboard (MDF)
	PBB42	48"	42"	1/4"	

		Depth	Height	Thickness	
End Panels 5/8" Thick					
	EP34	24"	34 1/2"	5/8"	Edge Banded on both long edges Finished on all sides
	EP96	24"	96"	5/8"	
	EP102*	24"	102"	5/8"	
	EP114*	24"	114"	5/8"	
	EP3096	30"	96"	5/8"	
EP30102	30"	102"	5/8"		

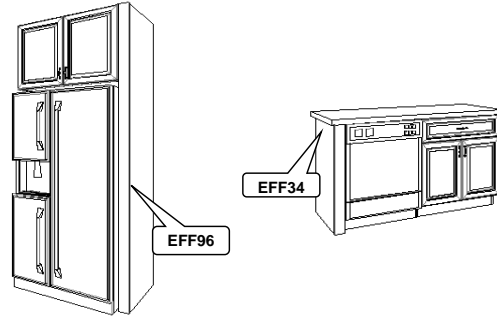
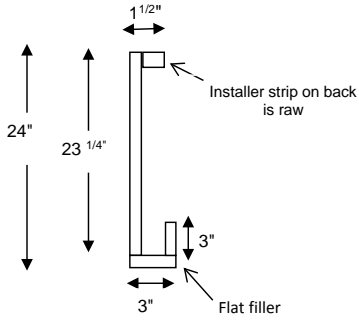
		Depth	Height	Thickness	
Laminate Sheets					
	LAMINATE4X4	48"	48"	1/32"	Cut to Size In Field Black Mocha and Willow finishes are 1/32" thick painted veneer. Auburn Black Distressed, Chestnut Distressed, Walnut Black Distressed finishes are 1/32" Stained Veneer. All other finishes are 1/32" thick High Pressure Laminate (HPL).
	LAMINATE4X8	96"	48"	1/32"	

Fillers & Panels : End Fillers

End Fillers

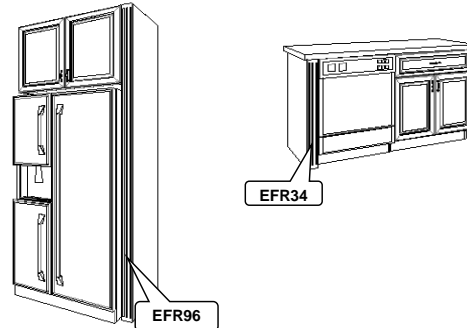
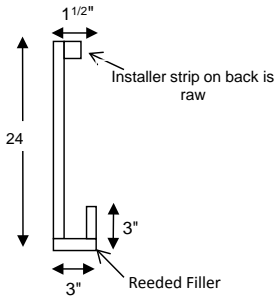
	Depth	Height	Width
EFF End Filler Flat			
	24	34 1/2	3
	24	96	3
*Standard Plywood	24	102	3
	24	114	3
	30	96	3

The Flat filler is attached directly to the end panel



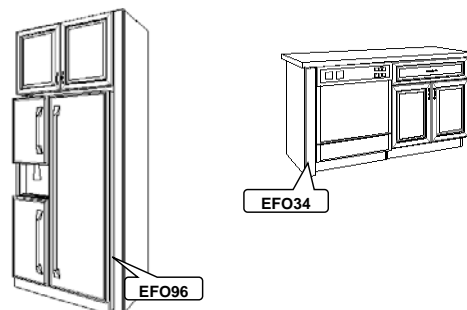
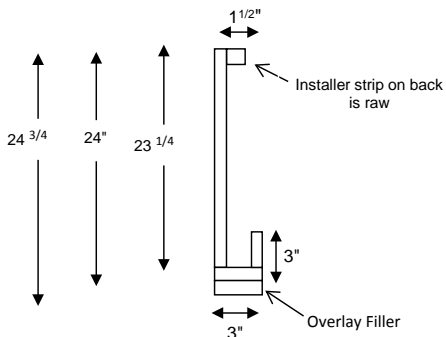
EFR End Filler Reeded			
	24	34 1/2	3
	24	96	3
*Standard Plywood	24	102	3
	30	96	3

The Reeded filler is attached directly to the end panel
There is 1/2" reveal at the top of the filler to accommodate crown molding



EFO End Filler Overlay (Vassar Series Only)			
	24 3/4	34 1/2	3
	24 3/4	96	3
*Standard Plywood	24 3/4	102	3
	30 3/4	96	3

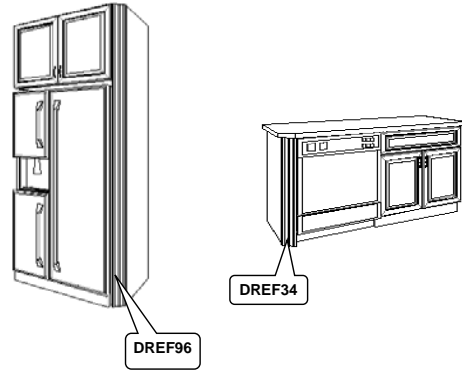
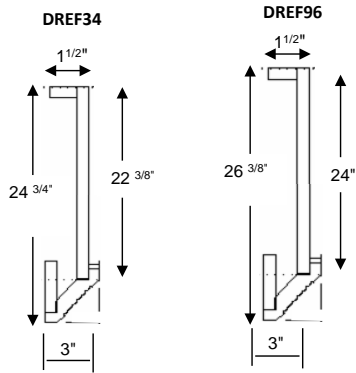
The Overlay Filler has a backer piece which is attached to the End Panel
There is 1/2" reveal at the top of the filler to accommodate crown molding



Fillers & Panels : End Fillers

End Fillers

	Depth	Height	Width	
Diagonal Reeded End Filler				
DREF34	24 ^{3/4"}	34 ^{1/2"}	3	The Diagonal Filler is attached directly to the End Panel
DREF96	26 ^{3/8"}	96	3	

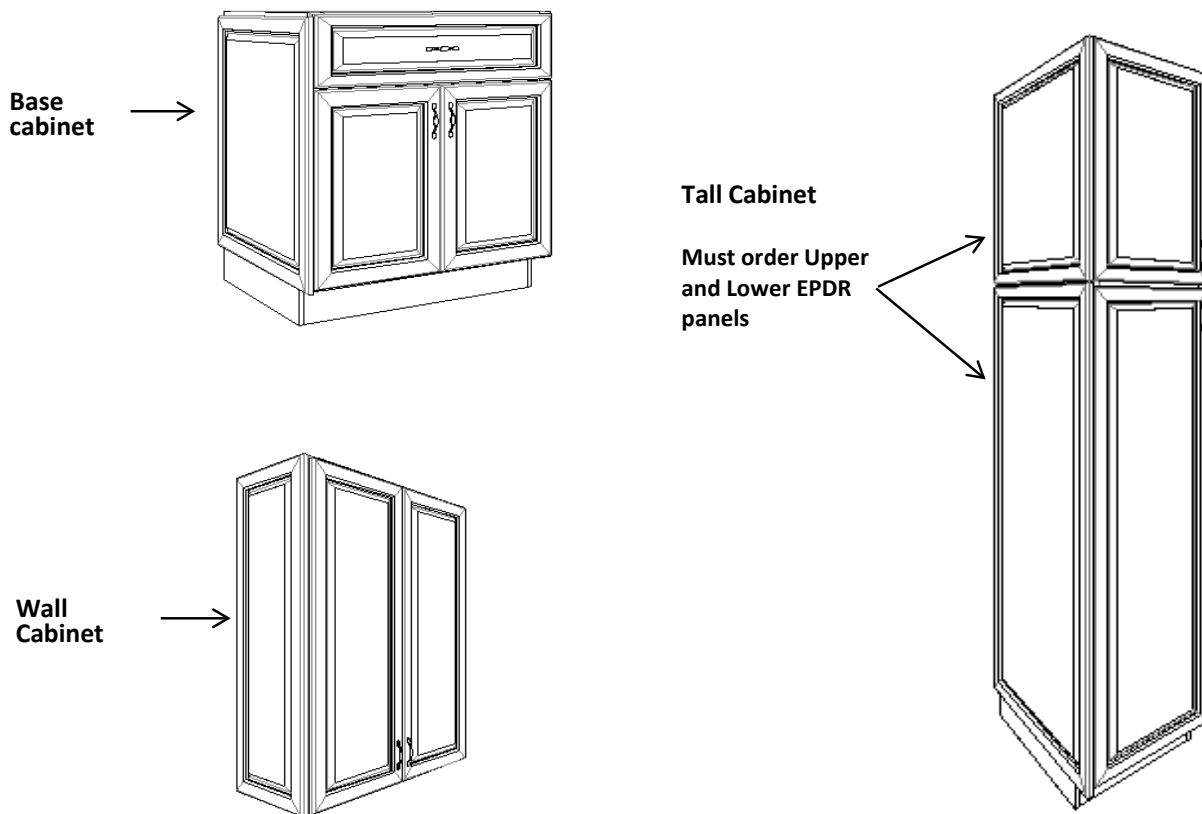


End Panel Door Program (EPDR)

- End Panel Doors (EPDR) are decorative door panels that can be ordered as separate items and applied to the finished ends of Wall, Base, and Tall cabinets.
- EPDRs are made 3/4" deeper than the cabinet side.
 - Front edge of the End Panel Door covers the face frame.
 - Meets the edge of the door on the front of the cabinet.
 - The back edge of the End Panel Door is flat so that it butts up against the wall evenly.
- The front, top and bottom edges of the End Panel Door are detailed to match the edges of the cabinet doors based upon the cabinet series you are ordering.

Note! *Since the back edge of the EPDR is flat, these should not be used to wrap around islands and peninsulas. The EPDR is designed to be used as a decorative door panel on the sides of cabinets that butt up against a wall.*

You must designate **finished ends** for all cabinets that will be receiving the decorative End Panel Doors (EPDR).



End Panel Door Program (EPDR)

GATE HOUSE SERIES		
End Panel Door Code	Width	Height
WALL EPDR1218	12 ^{13/16} x 16	^{27/32}
EPDR1224	12 ^{13/16} x 22	^{15/32}
EPDR1230	12 ^{13/16} x 29	^{13/32}
EPDR1236	12 ^{13/16} x 34	^{27/32}
EPDR1242	12 ^{13/16} x 40	^{23/32}
DESK EPDR2125	21 ^{13/16} x 24	^{3/8}
VANITY EPDR2130	21 ^{13/16} x 29	^{13/32}
BASE EPDR2430	24 ^{13/16} x 29	^{13/32}
TALLS		
UPPER EPDR2418	24 ^{13/16}	16 ^{17/32}
EPDR2424	24 ^{13/16}	22 ^{15/32}
EPDR2430	24 ^{13/16}	29 ^{13/32}
LOWER EPDR2461	24 ^{13/16}	61 ^{7/32}

CARRIAGE HOUSE SERIES		
End Panel Door Code	Width	Height
WALL EPDR1218	12 ^{13/16} x 16	^{27/32}
EPDR1224	12 ^{13/16} x 22	^{15/32}
EPDR1230	12 ^{13/16} x 29	^{13/32}
EPDR1236	12 ^{13/16} x 34	^{27/32}
EPDR1242	12 ^{13/16} x 40	^{23/32}
DESK EPDR2125	21 ^{13/16} x 24	^{3/8}
VANITY EPDR2130	21 ^{13/16} x 29	^{13/32}
BASE EPDR2430	24 ^{13/16} x 29	^{13/32}
TALLS		
UPPER EPDR2418	24 ^{13/16}	16 ^{17/32}
EPDR2424	24 ^{13/16}	22 ^{15/32}
EPDR2430	24 ^{13/16}	29 ^{13/32}
LOWER EPDR2461	24 ^{13/16}	61 ^{7/32}

VASSAR HOUSE SERIES		
End Panel Door Code	Width	Height
WALLS EPDR1218	12 ^{13/16} x 16	^{29/32}
EPDR1224	12 ^{13/16} x 22	^{5/8}
EPDR1230	12 ^{13/16} x 29	^{15/32}
EPDR1236	12 ^{13/16} x 34	^{29/32}
EPDR1242	12 ^{13/16} x 40	^{13/16}
DESK EPDR2125	21 ^{13/16} x 24	^{7/16}
VANITY EPDR2130	21 ^{13/16} x 29	^{15/32}
BASE EPDR2430	24 ^{13/16} x 29	^{15/32}
TALLS		
UPPER EPDR2418	24 ^{13/16}	16 ^{29/32}
EPDR2424	24 ^{13/16}	22 ^{5/8}
EPDR2430	24 ^{13/16}	29 ^{15/32}
LOWER EPDR2461	24 ^{13/16}	61 ^{9/32}